

DO FUSE HOLDERS

SCREW CAPS
PROTECTIVE COVERS
GAUGE RINGS
ADAPTER RINGS

RETAINING SPRING

gL-gG

SCREW CAPS

I_n (A)	REFERENCE	COLOR	THREAD	POLES	PACKING
DO 1 16	210016		E 14		20
DO 2 63	210063		E 18		20
DO 3 100	210100		M 30		20



210016

PROTECTIVE COVERS

DO 1 - DO 2 16 - 63	220063		E 14	SINGLE POLE	50/250
DO 2 63	220363		E 18	THREE POLES	10
DO 3 100	220100		M 30	SINGLE POLE 2 TABS	10
100	220101*		M 30	SINGLE POLE 1 TAB	10



220063

* For busbar fuse holder

GAUGE RINGS

DO 1 2	220102	pink	E 14		5
4	220104	brown	E 14		5
6	220106	green	E 14		5
10	220110	red	E 14		5
DO 2 20	220120	grey	E 18		5
25	220125	blue	E 18		5
35	220135	yellow	E 18		5
50	220150	black	E 18		5



220110

ADAPTER RINGS (for use DO 1 fuse links in DO 2 fuse holders)

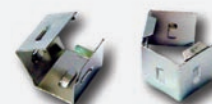
DO 1 2	220202				5
4	220204				5
6	220206				5
10	220210				5
16	220216				5



220202

RETAINING SPRING (for use DO 1 fuse links in DO 2 fuse holders)

	220301				5
--	--------	--	--	--	---



220301

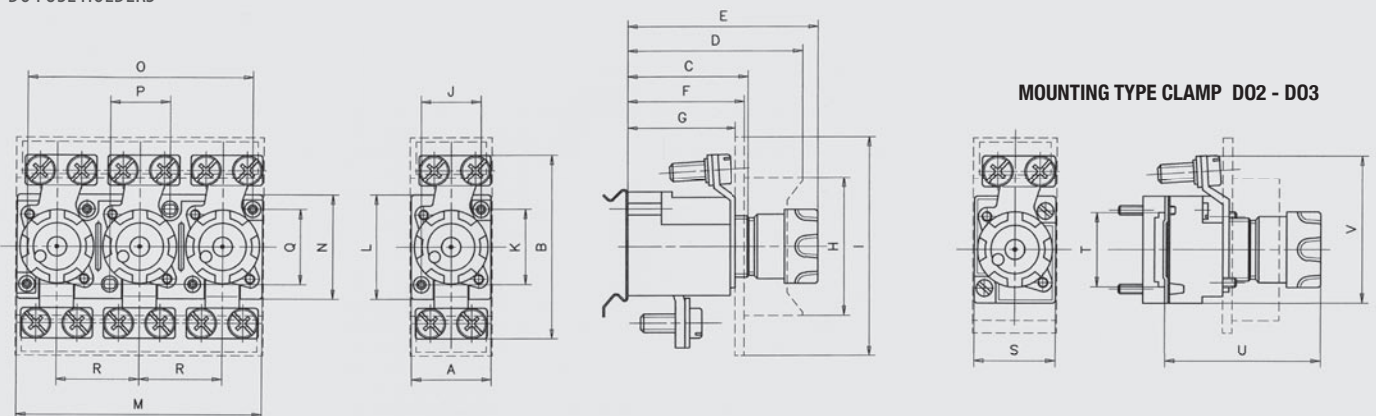
DO FUSE HOLDERS

DIMENSIONS
DO FUSE HOLDERS
SCREW CAPS

gL-gG

DIMENSIONS

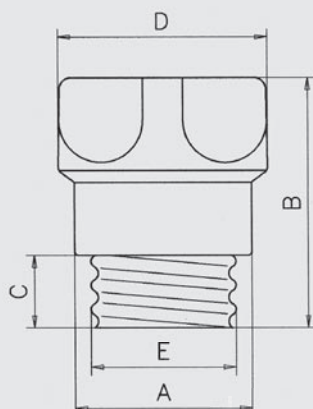
DO FUSE HOLDERS



SIZE	A	B	C	D	E	F	G	H	I	J	K	L	M	N	O	P	Q	R	S	T	U	V
DO 1	26,5	53	39,5	45	63	33	32	46	72	20	20	36	81	36	74	20	22	27	-	-	-	-
DO 2	26,5	61	39,5	45	63	33	32	46	72	20	22	34	81	36	74	20	22	27	26,9	20	47	47
DO 3	46	86	45	55	76	37	32	46	83	33	37,5	50	-	-	-	-	-	44,5	20	60	70	

DIMENSIONS

SCREW CAPS



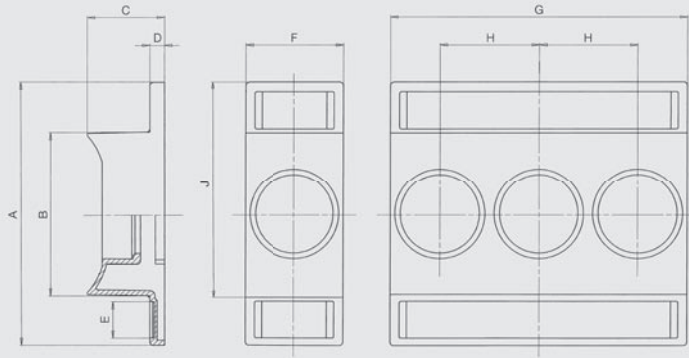
SIZE	A	B	C	D	E
DO 1	19	31	9	26	E 14
DO 2	22	31	9	26	E 18
DO 3	38	36	10	39	M30x2

DO FUSE HOLDERSDIMENSIONS - PROTECTIVE COVERS
MOUNTING TYPE IN DO FUSE HOLDERS

gL-gG

DIMENSIONS

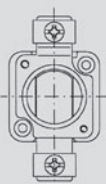
PROTECTIVE COVERS



SIZE	A	B	C	D	E	F	G	H	J
DO 1 - DO 2	72	45	21	4	10	27	81	27	-
DO 3 (BUSBAR CON.)	-	44	18	5,5	13,5	44	-	-	67,5
DO 3	83	44	18	5,5	13,5	44	-	-	-

MOUNTING TYPE IN DO FUSE HOLDERS**A - A**

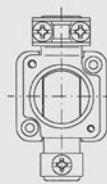
SCREW

A**A**

SCREW

DO 1**B - A**

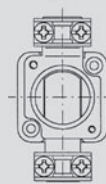
CLAMP

B**A**

SCREW

DO 2**B - B**

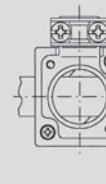
CLAMP

B**B**

CLAMP

DO 2 - DO 3**B - P**

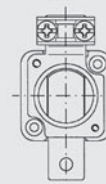
CLAMP

B**P**

BUSBAR

B - T

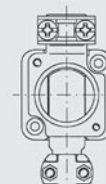
CLAMP

B**T**

HOLE

DO 3**B - C**

CLAMP

B**C**

TERMINAL