

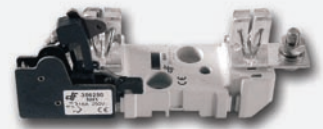
NH FUSE BASES

ST 690V WITH MICROSWITCH
ST NH FUSE BASES ACCESSORIES

ST

ST WITH MICROSWITCH NH FUSE BASES 690V

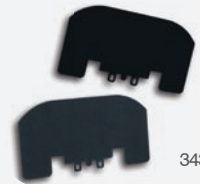
SIZE	DESCRIPTION	REFERENCE	U (V)	PACKING
SINGLE POLE RAIL + SCREW FIXING				
NH0 160A	SCREW CONNECTION - CLIP CONTACT	356160	690	1
NH1 250A	SCREW CONNECTION - CLIP CONTACT	356250	690	1
NH2 400A	SCREW CONNECTION - CLIP CONTACT	356400	690	1
NH3 630A	SCREW CONNECTION - CLIP CONTACT	356630	690	1
SINGLE POLE SCREW FIXING				
NH4 1000A	SCREW CONNECTION - CLIP CONTACT	356100	690	1
NH4 1250A	SCREW CONNECTION - CLIP CONTACT	356125	690	1



356250

ST NH FUSE BASES ACCESSORIES

SIZE	In (A)	REFERENCE	DESCRIPTION	PACKING
PARTITION WALLS				
NH00	160	326100	SNAP-ON FIXING	2
NH0	160	326160	SNAP-ON FIXING	2
NH1 - NH2	250/400	326250	SNAP-ON FIXING	2
NH3	630	326630	SNAP-ON FIXING	2
NH4	1250	343125	SQUARE FIXING	2
SEPARATORS				
NH00	160	325100		2
NH0	160	325160		2
NH1 - NH2	250/400	325250		2
NH3	630	325630		2
TERMINAL COVERS				
NH00 SINGLE POLE	160	325000		6
NH00 THREE POLE INTEGRAL	160	325009	PARTITION WALLS INCORPORATED	1
NH0	160	325001		6
NH1	250	325002		6
NH2	400	325003		6
NH3	630	325007		6
FUSE LINKS COVERS				
NH00	160	325010		3
NH0	160	325015		3
NH1 - NH2	250/400	325020		3
NH3	630	325025		3
IP20 PROTECTION KITS				
NH00 SINGLE POLE		325030		1
NH00 THREE POLE		325032		1
NH0 THREE POLE		325036		1
NH1 THREE POLE		325041		1
NH2 THREE POLE		325046		1
NH3 THREE POLE		325051		1
MICROSWITCHES FOR NH FUSE BASES				
NH0	160	357160	16A-250V PRESENCE - FUSION	1
NH1	250	357250	16A-250V PRESENCE - FUSION	1
NH2	400	357400	16A-250V PRESENCE - FUSION	1
NH3	630	357630	16A-250V PRESENCE - FUSION	1
MICROSWITCHES FOR NH LINKS				
CLASS 1		357000	ONLY DUAL INDICATOR FUSES (NH000/00/0/C1/1/2/3)	1/100
CLASS 2		357001	ONLY DUAL INDICATOR FUSES (NHC2/NHC3)	1/100



343125



325100



325009 325000



325010



325030



357250



357000

NH FUSE BASES

DIMENSIONS

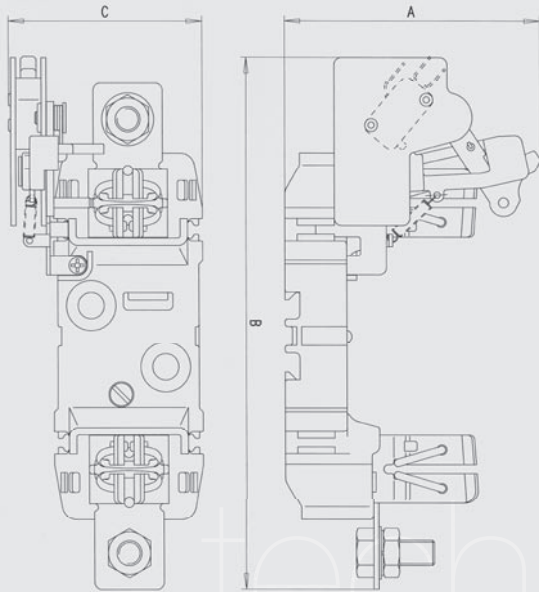
ST NH0 - NH1 - NH2 - NH3 - NH4 FUSE BASES WITH MICROSWITCH

ST NH00 - NH0 - NH1 - NH2 - NH3 SECTIONABLE NEUTRAL FUSE BASES

ST

DIMENSIONS

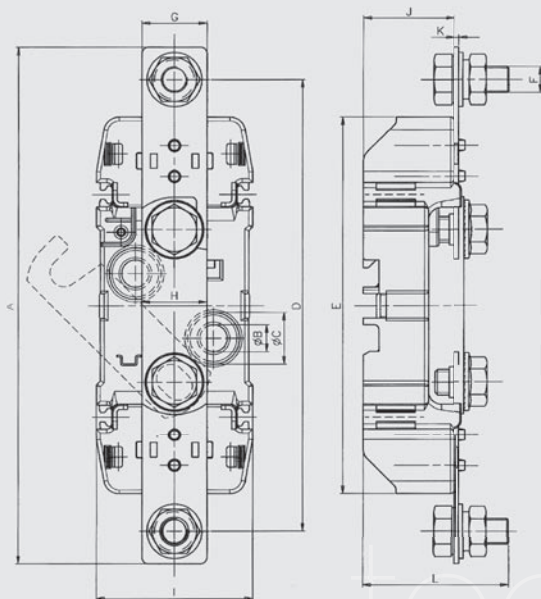
ST NH0 - NH1 - NH2 - NH3 FUSE BASES WITH MICROSWITCH



SIZE	A	B	C
NH0	90	193	65,5
NH1	98	215	76
NH2	102	227	76
NH3	102	235	76
NH4	140	284	113

DIMENSIONS

ST NH00 - NH0 - NH1 - NH2 - NH3 SECTIONABLE NEUTRAL FUSE BASES



SIZE	A	B	C	D	E	F	G	H	I	J	K	L
NH00	120,5	7,5	15	100	86	M8	20	0	37	23	2	43
NH0	170	7,5	15	150	122	M8	20	0	47	29	2	49
NH1-NH2-NH3	200	10,5	20	175	146	M10	25	30	60	35	2	60