

FUSE HOLDERS AND BASES FOR MINIATURE FUSES

5x20 FUSE HOLDERS AND BASES

5x20

5x20 FUSE HOLDERS AND BASES

REFERENCE	FIXING TYPE - DESCRIPTION	I_n (A)	U (V)	PACKING Uni./BOX
-----------	---------------------------	--------------	----------	---------------------

515020

PANEL MOUNTING
SCREW FUSE CARRIER

6,3

250

10/100



515025

PANEL MOUNTING
SCREW FUSE CARRIER

6,3

250

10/100



515030

SCREW CONNECTION
CLIP CONTACT

6,3

250

10/100



515045

PRINTED CIRCUIT BOARD
BAYONET FUSE CARRIER
(V)

6,3

250

10/100



515050

PRINTED CIRCUIT BOARD
BAYONET FUSE CARRIER
(H)

6,3

250

10/100



515055

PANEL MOUNTING
BAYONET FUSE CARRIER

6,3

250

10/100



515060

PRINTED CIRCUIT BOARD

6,3

250

10/100



FUSE HOLDERS AND BASES FOR MINIATURE FUSES

6x32 FUSE HOLDERS AND BASES
5x20 AND 6x32 FUSE HOLDERS

5x20-6x32

6x32 FUSE HOLDERS AND BASES

REFERENCE	FIXING TYPE - DESCRIPTION	I_n (A)	U (V)	PACKING Uni./BOX
516032	PANEL MOUNTING SCREW FUSE CARRIER	16	250	10/100
516035	SCREW MOUNTING	25	250	10/100



FUSE HOLDER FOR 5x20 & 6x32 FUSE LINKS

REFERENCE	FIXING TYPE - DESCRIPTION	I_n (A)	U (V)	PACKING Uni./BOX
516045*	IN LINE FUSE HOLDER WITH CABLE (bayonet)	6,3	250	10/100



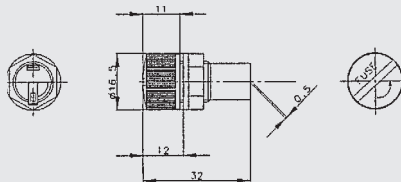
(* This fuse holder accepts miniature fuse links 5x20 and 6x32)

FUSE HOLDERS AND BASES FOR MINIATURE FUSES

DIMENSIONS

5x20

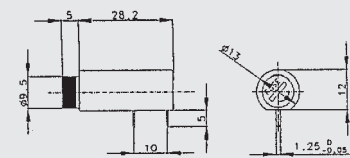
5x20 DIMENSIONS



Hole for mounting
1.8



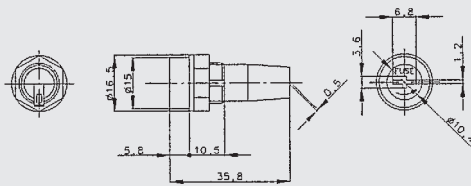
515020



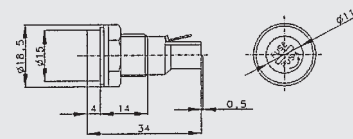
Holes for mounting
(2x)1.5



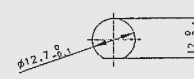
515050



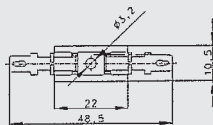
515025



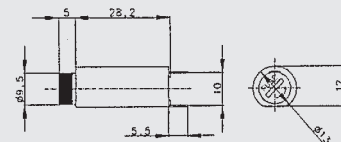
Hole for mounting



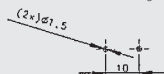
515055



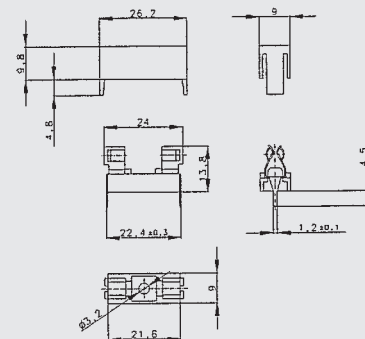
515030



Holes for mounting
(2x)1.5



515045



515060

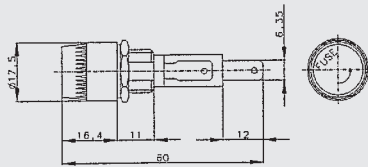
technical data

FUSE HOLDERS AND BASES FOR MINIATURE FUSES

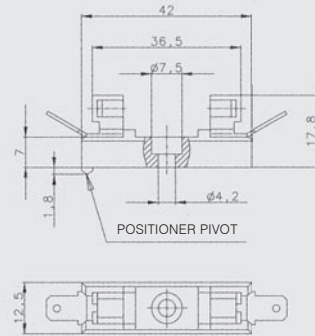
DIMENSIONS

5x20-6x32

6x32 DIMENSIONS

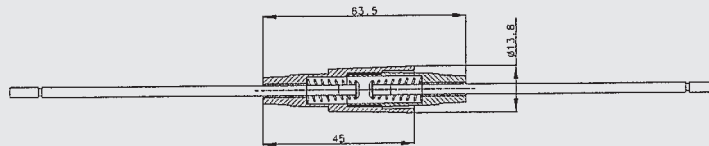


516032



516035

5x20 & 6x32 DIMENSIONS



516045