

FUSE HOLDERS AND BASES FOR MINIATURE FUSES

6x32 FUSE HOLDERS AND BASES
5x20 AND 6x32 FUSE HOLDERS

5x20-6x32

6x32 FUSE HOLDERS AND BASES

| REFERENCE | FIXING TYPE - DESCRIPTION | I_n (A) | U (V) | PACKING Uni./BOX |
|-----------|--------------------------------------|--------------|----------|---------------------|
| 516032 | PANEL MOUNTING SCREW FUSE CARRIER | 16 | 250 | 10/100 |
| 516035 | SCREW MOUNTING | 25 | 250 | 10/100 |



FUSE HOLDER FOR 5x20 & 6x32 FUSE LINKS

| REFERENCE | FIXING TYPE - DESCRIPTION | I_n (A) | U (V) | PACKING Uni./BOX |
|-----------|---|--------------|----------|---------------------|
| 516045* | IN LINE FUSE HOLDER WITH CABLE (bayonet) | 6,3 | 250 | 10/100 |



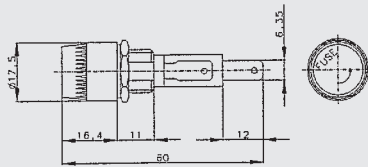
(* This fuse holder accepts miniature fuse links 5x20 and 6x32)

FUSE HOLDERS AND BASES FOR MINIATURE FUSES

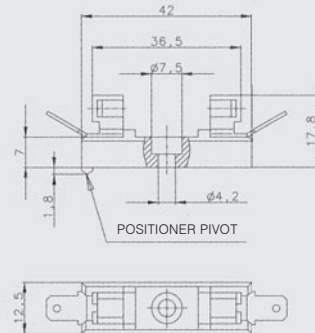
DIMENSIONS

5x20-6x32

6x32 DIMENSIONS

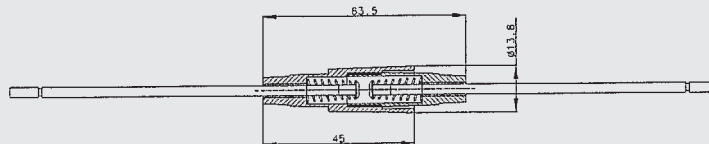


516032



516035

5x20 & 6x32 DIMENSIONS



516045