



fuse links

DO FUSE LINKS

DO fuse links gG class for use as general protection against overloads and short circuits, intended as domestic protection or in some industrial equipment. They are available in three sizes (D01, D02 and D03) with ratings from 2A to 100A and rated voltage of 400V AC (250V DC). The DO fuse links have a indicator device. Manufactured according IEC, EN and VDE standards, with ceramic body and copper or brass contact caps.

DO FUSE LINKS & ACCESSORIES

TECHNICAL DATA



80

81





DO FUSE LINKS

gL/gG

DO FUSE LINKS

I_n (A)	REFERENCE	U (V)	BREAKING CAPACITY (kA)	THREAD	PACKING
--------------	-----------	----------	---------------------------	--------	---------

DO 1

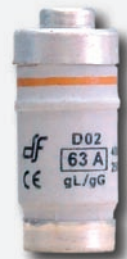
2	201102	400	50	E 14	10
4	201104	400	50	E 14	10
6	201106	400	50	E 14	10
10	201110	400	50	E 14	10
16	201116	400	50	E 14	10



201116

DO 2

20	201120	400	50	E 18	10
25	201125	400	50	E 18	10
35	201135	400	50	E 18	10
50	201150	400	50	E 18	10
63	201163	400	50	E 18	10



201163

DO 3

80	201180	400	50	M 30	10
100	201100	400	50	M 30	10



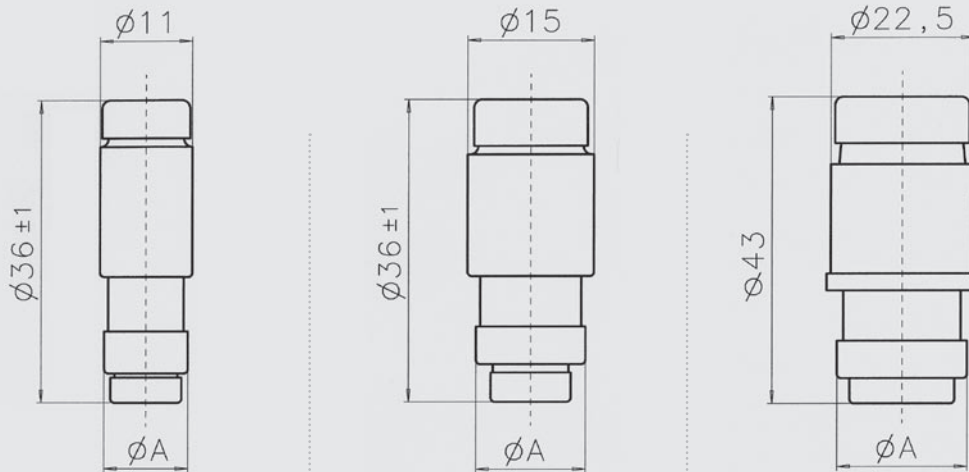
201100

DO FUSE LINKS

DIMENSIONS
t-I CHARACTERISTICS

gL/gG

DIMENSIONS



SIZE	D01			D02					D03	
I_n (A)	2-4-6	10	16	20	25	35	50	63	80	100
$\varnothing A$	7,3	8,5	9,7	10,9	12,1	13,3	14,5	15,9	21,4	24,4

t-I CHARACTERISTICS

