

DOMESTIC FUSE LINKS

FRENCH STANDARD
gG DOMESTIC FUSE LINKS

gG

gG DOMESTIC FUSE LINKS

I _n (A)	REFERENCE		U (V)	BREAKING CAPACITY (kA)	PACKING Uni./BOX
	WITHOUT INDICATOR	WITH INDICATOR			



6x23

2	400002	–	230	6	10/100
4	400004	–	230	6	10/100
6	400006	–	230	6	10/100
10*	400010	–	230	6	10/100



400006

8x23

2	400012	400112	230	6	10/100
4	400014	400114	230	6	10/100
6	400016	400116	230	6	10/100
10	400018	400118	230	6	10/100
16*	400020	400120	230	6	10/100



400018

10x25

6	400022	400122	230	6	10/100
10	400024	400124	230	6	10/100
16	400026	400126	230	6	10/100



400120

8x31

0,5	420500	–	400	20	10/100
1	420501	–	400	20	10/100
2	420502	420602	400	20	10/100
4	420504	420604	400	20	10/100
6	420506	420606	400	20	10/100
8	420508	420608	400	20	10/100
10	420510	420610	400	20	10/100
12	420512	420612	400	20	10/100
16	420516	420616	400	20	10/100
20	420520	420620	400	20	10/100



420520

(*) Overrating fuses

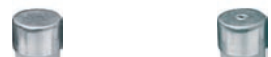
DOMESTIC FUSE LINKS

FRENCH STANDARD
gG DOMESTIC FUSE LINKS
ASSORTMENT BOX



gG DOMESTIC FUSE LINKS

I _n (A)	REFERENCE		U (V)	BREAKING CAPACITY (kA)	PACKING Uni./BOX
	WITHOUT INDICATOR	WITH INDICATOR			



10x31

16	400028	400128	400	20	10/100
20	400030	400130	400	20	10/100
25	400032 NF	400132 NF	400	20	10/100



400032

10x38

25	400034	400134	400	20	10/100
32	400036 NF	400136 NF	400	20	10/100



400034

8x36

2	400038	400138	400	20	10/100
4	400040	400140	400	20	10/100
6	400042	400142	400	20	10/100
10	400044	400144	400	20	10/100
16	400046	400146	400	20	10/100
20	400048	400148	400	20	10/100
25	400050	400150	400	20	10/100
32	400052	400152	400	20	10/100



400038

ASSORTMENT BOX (110 standard fuses)

REFERENCE	CONTENT	TYPE	PACKING
490008	30 uni.(10A)/30 uni.(16A)/30uni.(20A)/5uni.(25A)/15 uni.(32A)	WITHOUT indicator	10/100
490010	30 uni.(10A)/30 uni.(16A)/30uni.(20A)/5uni.(25A)/15 uni.(32A)	WITH indicator	10/100



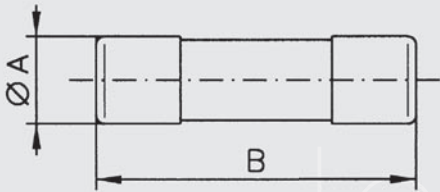
490008

DOMESTIC FUSE LINKS

FRENCH STANDARD
DIMENSIONS

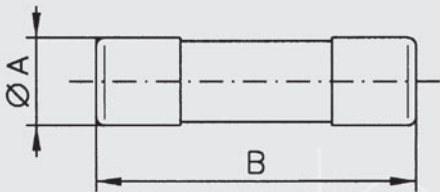
gG-AD

DIMENSIONS - gG DOMESTIC FUSE LINKS



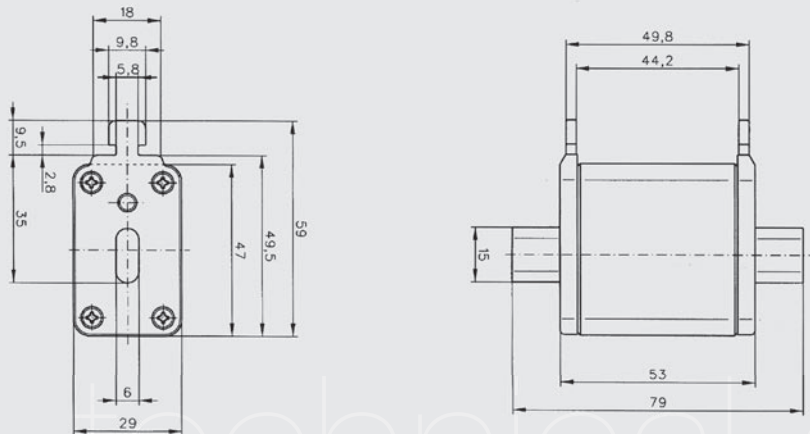
SIZE	A	B	C
6x23	6,3	23	5
8,5x23	8,5	23	5
8,5x31,5	8,5	31,5	6,3
8,5x36	8,5	36	6,3
10,3x25,8	10,3	25,8	6,3
10,3x31,5	10,3	31,5	6,3
10,3x38	10,3	38	10

DIMENSIONS - AD FUSE LINKS



SIZE	A	B	C
10,3x38	10,3	38	10
14,3x51	14,3	51	13
22,2x58	22,2	58	16

DIMENSIONS - AD FUSE LINKS

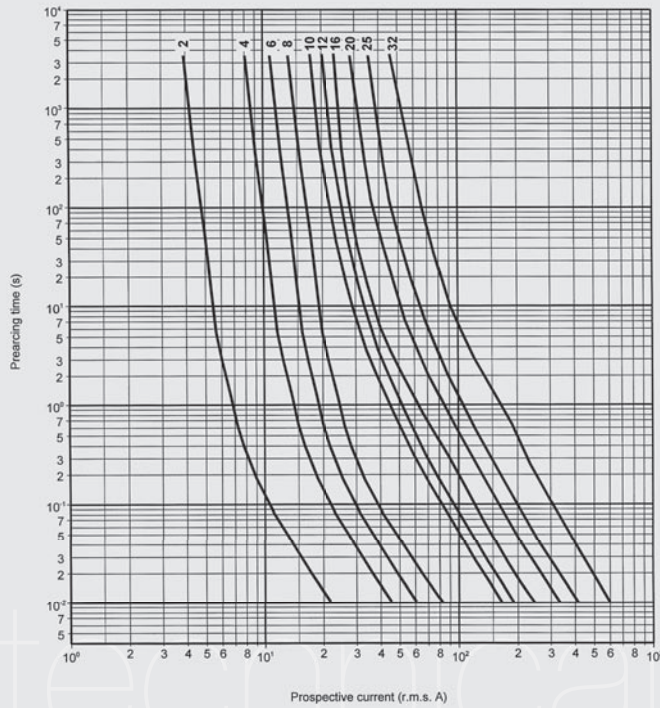


DOMESTIC FUSE LINKS

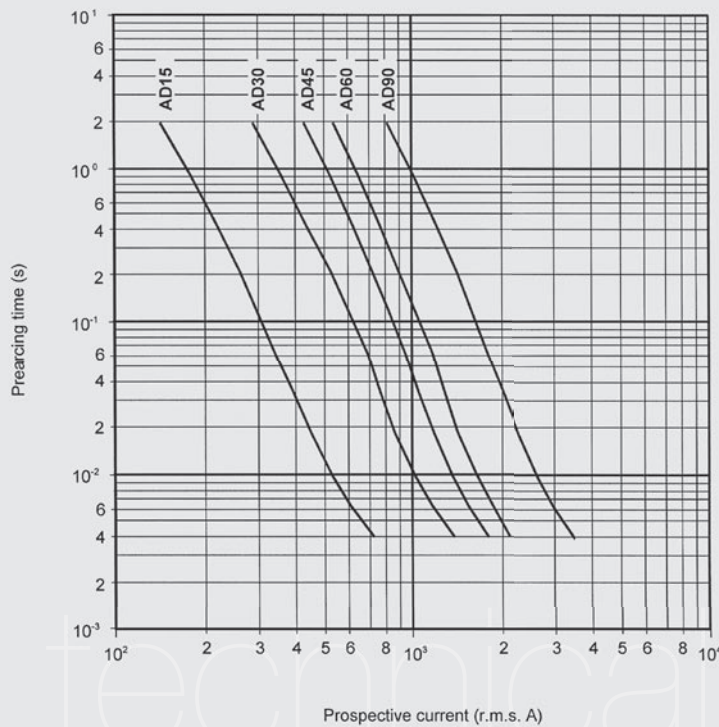
FRENCH STANDARD
t-I CHARACTERISTICS

gG-AD

t-I CHARACTERISTICS - gG DOMESTIC FUSE LINKS



t-I CHARACTERISTICS - AD FUSE LINKS



DOMESTIC FUSE LINKS

FRENCH STANDARD
POWER DISSIPATION

gG-AD

POWER DISSIPATION - gG DOMESTIC FUSE LINKS

I _n (A)	SIZE						
	6,3x23 (W)	8,5x23 (W)	10,3x25,8 (W)	8,5x31,5	10,3x31,5 (W)	10,3x38	8,5x36 (W)
0,5	–	–	–	1,2	–	–	–
1	–	–	–	2,0	–	–	–
2	0,4	0,4	–	0,5	–	–	0,64
4	0,6	0,6	–	0,8	–	–	0,92
6	0,9	0,9	1,00	1,1	–	–	1,4
8	–	–	–	1,3	–	–	–
10	1,3	0,7	0,9	1,0	–	–	1,0
12	–	–	–	1,2	–	–	–
16	–	1,2	1,3	1,9	1,9	–	1,6
20	–	–	–	2,0	2,0	–	2,3
25	–	–	–	–	2,6	2,4	2,1
32	–	–	–	–	–	2,9	2,7

POWER DISSIPATION - AD FUSE LINKS

I _n (A)	SIZE			
	10x38 (W)	14x51 (W)	22x58 (W)	NH 00 (W)
15	0,6	0,7	0,8	–
30	–	1,6	1,7	1,3
45	–	–	2,8	1,9
60	–	–	4,4	3,1
90	–	–	–	4,6